

CODESS



VOLKMER TABLE FRAMES

Who are we?

Designer and manufacturer of office furniture

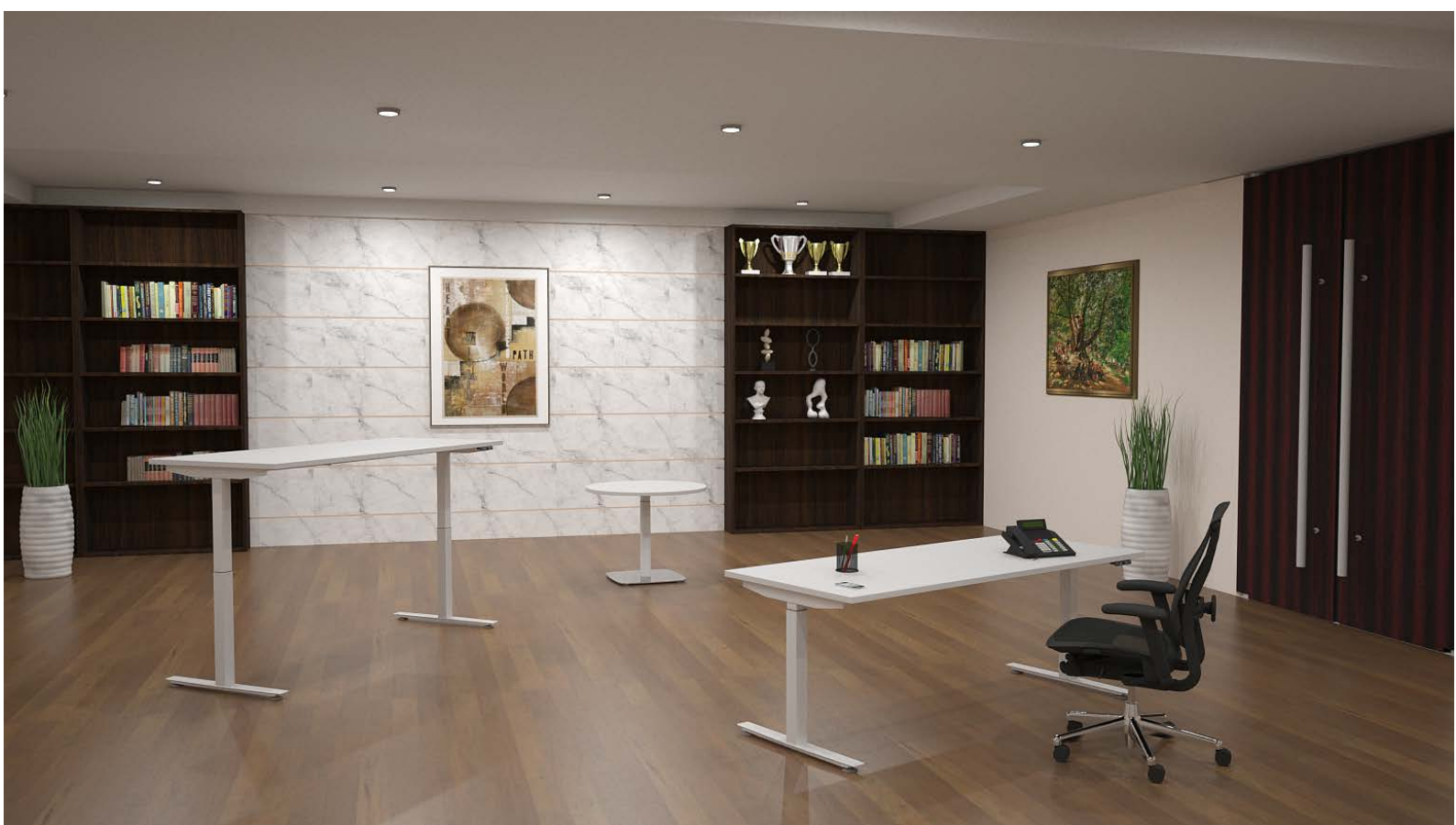
Established over 20 years ago, Codess manufactures our own patented workstation systems and office furniture solutions. We make customised personal workspace that improves workflow.

International product development combined with European design and low cost manufacturing provide our customers with competitive products. Our production team works hand in hand with our project managers to ensure every project receives its own tailor made solution.

Focused on detail control, our process ensures that all products leaving our factory have been tested, pre-assembled and approved according to rigorous inspection demands. This means that we undertake the full responsibility regarding the final product, fully qualified and ready for sale.

Our original proprietary workstation designs can still be found throughout many Bluechip Organisations and Government Institutions Australia wide. We maintain a national presence in all state capitals and are government approved contractors.

DO YOU DESERVE A RAISE?



Volkmer Frame

When special becomes standard

Ergonomic frames with a European attitude and a stroke of 430mm.

The electric adjustable height goes from 690mm to 1120mm. The telescopic frame supports table tops 1200mm to 2100mm in length.

Features such as anti-collision (drive back 40mm), low standby power (0,1 W) and low noise level (49 dB) are not an option - but simply standard.

Tested by independent institutes the functionality and durability of the structure are guaranteed.

The Volkmer frame can be configured in a variety of ways, including tables, corners, executive desks and back to back benching.

Volkmer can support a range of new and existing accessories to make working on it a more comfortable and healthy experience.



Electric Adjustment



Technician Incremental Adjustment



Manual Hand Crank Adjustment

Manual Assembly

On site assembly simplified

The unique design of the Volkmer range saves you assembly time on site. The frame is supplied semi pre-assembled to ensure that your desk is up and running in a few easy steps.

The motor and control box is ready to be plugged in and mounted to the frame.

Our industry experience allowed us to simplify the assembly process and provide easy to follow instructions to have our products installed.

This feature makes the Volkmer range a competitive option when installation times are on a tight schedule.



Column

Precision tuned high performance

Column

| | |
|-------------------------|---|
| Tube dimensions | 60 x 60 - 50 x 50 mm |
| Stroke | 430mm |
| Column adjustment range | 690mm to 1120mm (not including desktop) |
| Max load, both columns | 80 Kg |
| Speed | 25 to 30mm / sec |
| Ambient temprature | 0 - 46 c |

Foot Profile



Test certificates

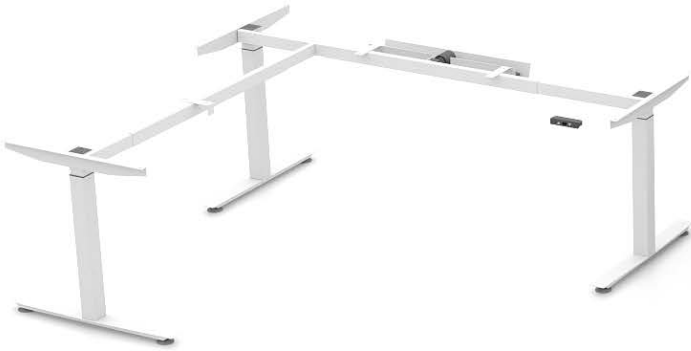
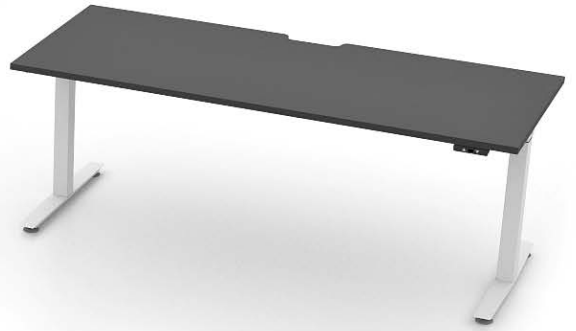
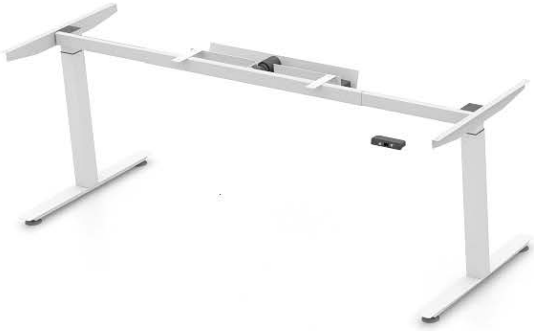
Compliance for your precaution

Testing to ensure our products meet compliance has been conducted by several independent institutes.

Our commitment to our clients peace of mind is a key doctrine of our company culture.

Saving you both time and money, our products have been approved and certified as meeting industry standard benchmarks.

Upon request we are pleased to submit the technical dossier covering test reports, certificates, assembly manual and declaration on conformity.



Handset

User friendly digital control

General Features

Memory Functionality to remember user height preferences

Mounted under desk

Colour - Black

Measurements displayed in standard units (mm)

Safe Input Design to avoid unintentional adjustments

Designed specifically for height adjustable desk application

The programmable handset supports 4 memory positions. Once the the desk has been adjusted to the preferred height:

- 1 . Press any of the buttons labelled 1 2 3 or 4 together with the up or down button for 2 seconds to store the current height
2. Display shows P1/P2/P3/P4 when the position has been stored
3. Holding any of these buttons will adjust the desk height to the stored preference
4. Stored position can only been overwritten, and not cleared





European
Design



5 Year
Warranty



PVC
Free



Anti
Collision



Value For
Money



49dB



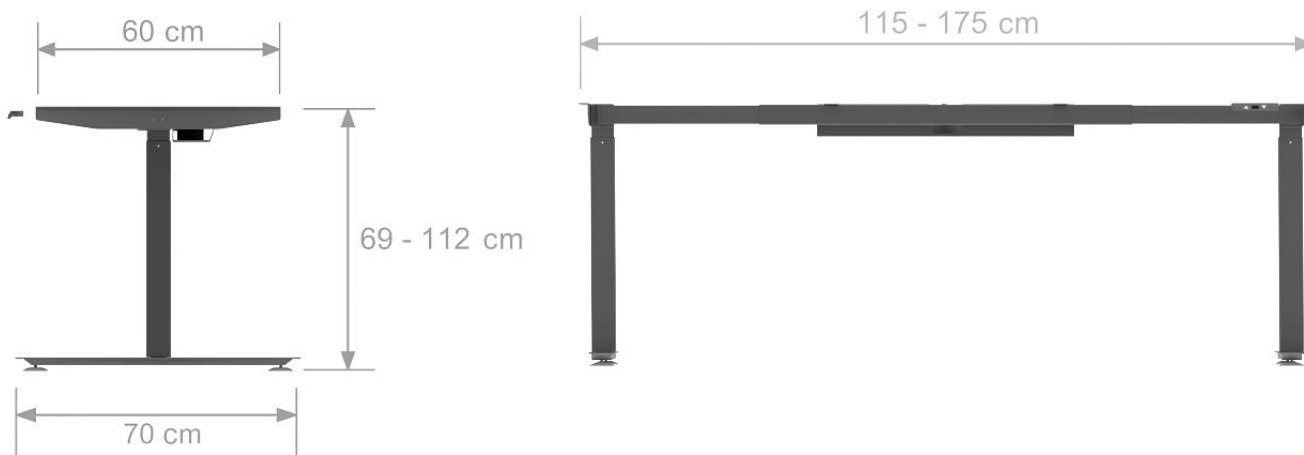
Australian
Standard



Zero Watts
in Standby



Tested &
Certified

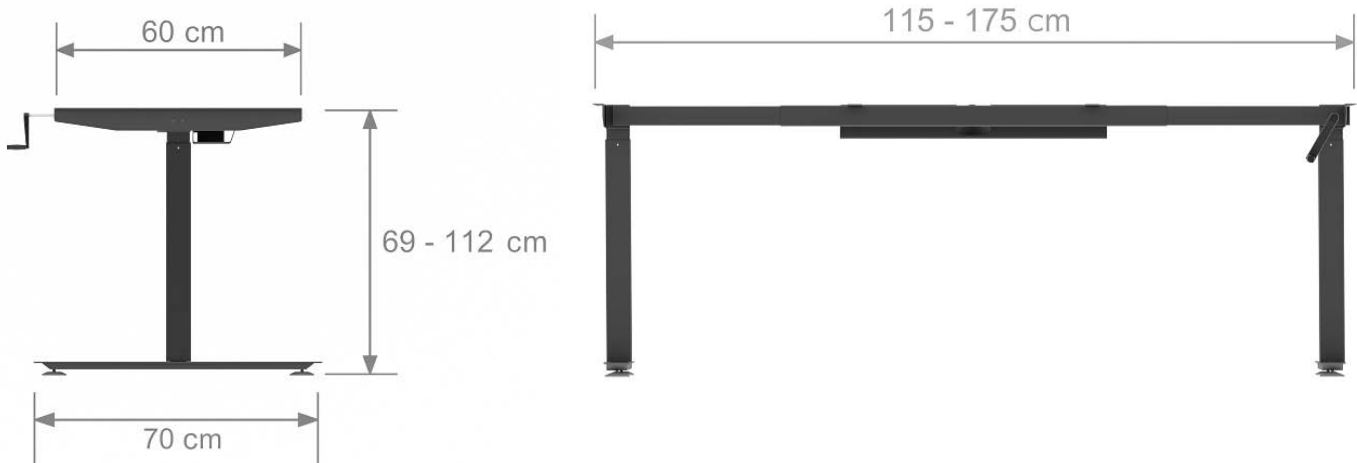


VOLKMER E23T-DM

ELECTRIC STRAIGHT DESK FRAME

Table Top Length 120cm to 180cm

| | |
|--------------------------------|---|
| Height (cm) | min. 69 / max. 112 |
| Stroke (cm) | 43 |
| Speed (cm/s) | 2.8 |
| Frame Length (cm) | min. 115 / max. 175 |
| Table Top Depth (cm) | min. 70 / max. 80 |
| Capacity (kg) | 100 |
| Noise dB(A) | < 50 |
| Power | 110V to 240V |
| Plug Type | AUS |
| Weight/Set (kg) | ~23.5 |
| Material (Frame, Column, Foot) | Powder Coated Steel (RoHS) |
| Handset | TDH Series Memory Display (4 memory Position) |
| Safety Feature | Anti-Collision Protection |

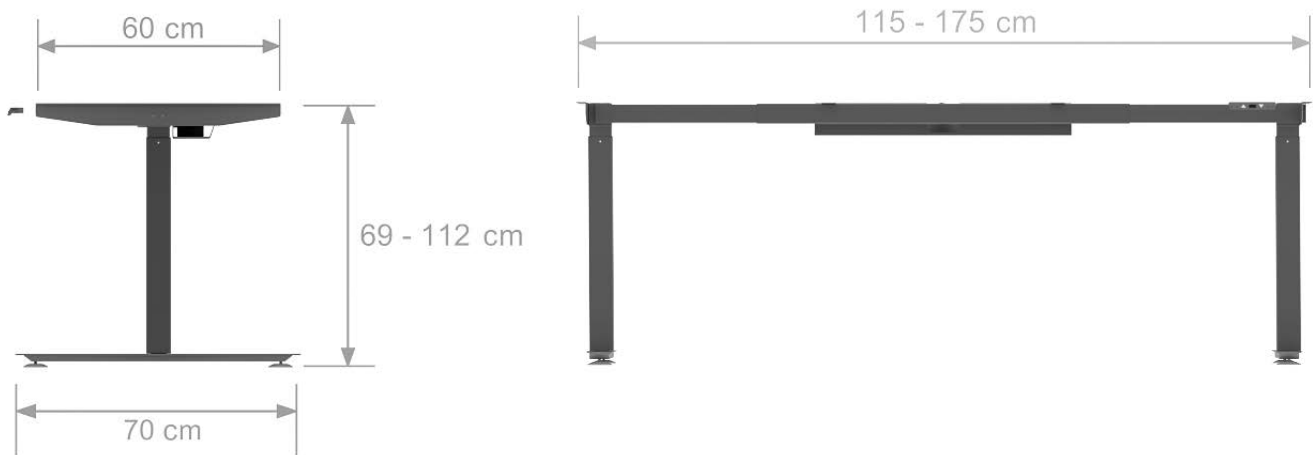


VOLKMER H24T

HAND CRANK HEIGHT ADJUSTABLE DESK FRAME

Table Top Length 120cm to 180cm

| | |
|--------------------------------|----------------------------|
| Height (cm) | min. 69 / max. 112 |
| Stroke (cm) | 43 |
| Speed (cm/s) | 0.4 / crank turn |
| Frame Length (cm) | min. 115 / max. 175 |
| Table Top Depth (cm) | min. 70 / max. 80 |
| Capacity (kg) | 100 |
| Noise dB(A) | - |
| Crank Handle (Colour) | Grey / Black |
| Weight/Set (kg) | ~19.7 |
| Material (Frame, Column, Foot) | Powder Coated Steel (RoHS) |



VOLKMER VT24T

TECHNICIAN ADJUSTABLE DESK FRAME

Table Top Length 120cm to 180cm

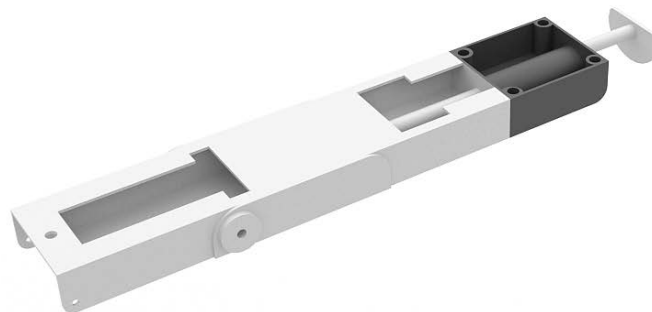
| | |
|--------------------------------|----------------------------|
| Height (cm) | min. 69 / max. 79 |
| Frame Length (cm) | min. 115 / max. 175 |
| Table Top Depth (cm) | min. 70 / max. 80 |
| Capacity (kg) | 100 |
| Weight / Set (kg) | ~16.5 |
| Material (Frame, Column, Foot) | Powder Coated Steel (RoHS) |



VOLKMER FT54T

TECHNICIAN HEIGHT ADJUSTABLE FLIP TABLE

TELESCOPIC BEAM SUPPORTS TABLE TOP 120CM TO 180CM



Flip
Mechanism





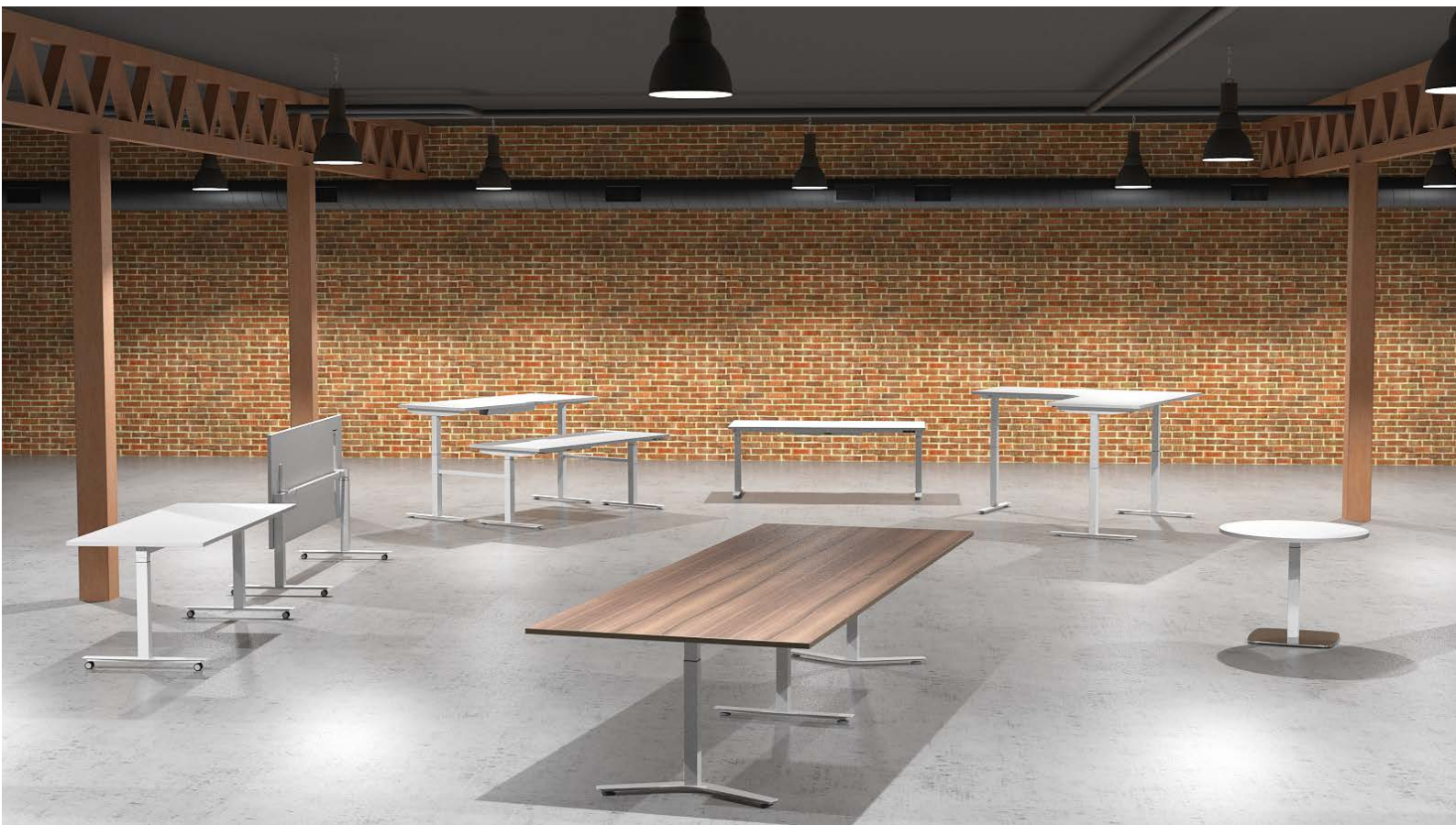
VOLKMER CT21R

TECHNICIAN HEIGHT ADJUSTABLE MEETING TABLE

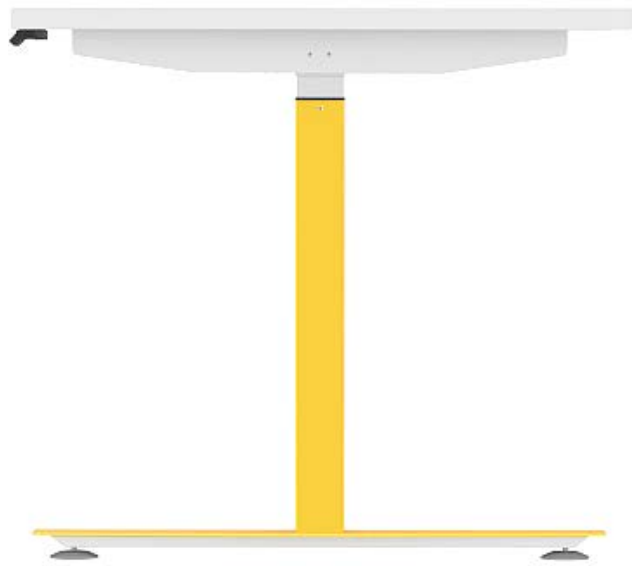
VOLKMER BT33

TECHNICIAN HEIGHT ADJUSTABLE BOARDROOM TABLE





Please visit <https://vimeo.com/266045646>



**- CODESS -
AUSTRALIA**

SYDNEY

WWW.CODESS.COM.AU - 02 9746 7433 - INFO@CODESS.COM.AU
UNIT 11 / 1 - 15 WENTWORTH RD NORTH, HOMEBUSH 2140 NSW

MELBOURNE

0448 577 339 - BRAD@CODESS.COM.AU
1 - 206 ACACIA PL, ABBOTSFORD 3067